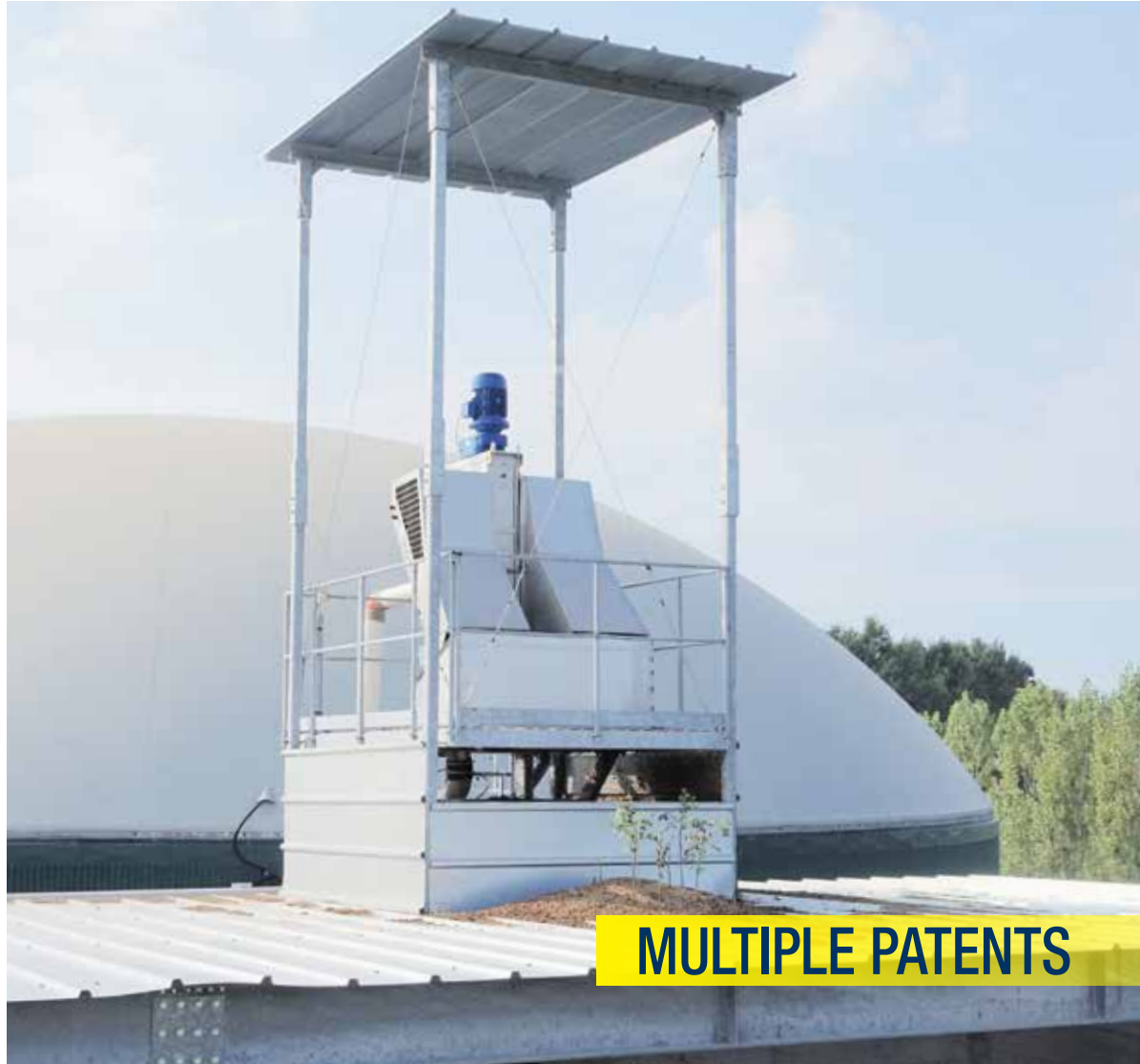


SOLIDS-LIQUID SEPARATION

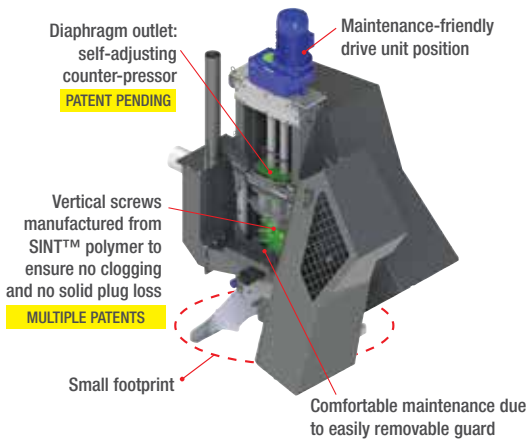
# SEPCOM™ Biogas Digestate Treatment System



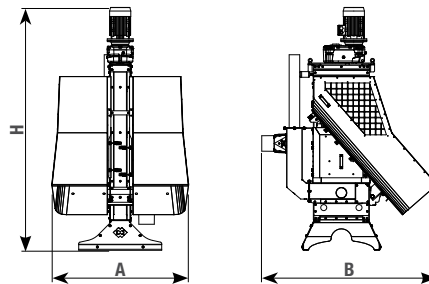
# Technical Features and Overall Dimensions

## SEPCOM™ Biogas Vertical Digestate Separator

MULTIPLE PATENTS PENDING

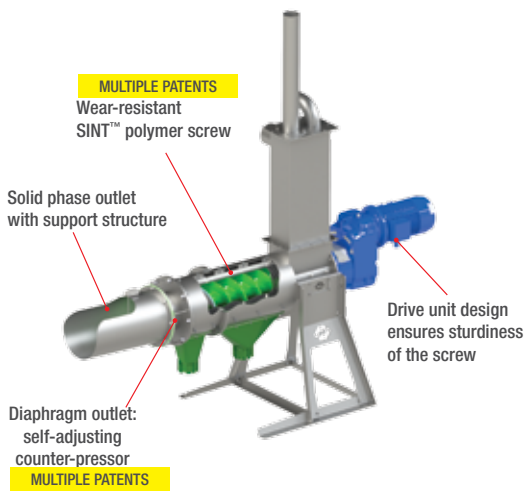


MODEL	Diameter mm	A mm	B mm	H mm	Power kW	Weight kg	Max. Throughput m³/h *
SEPBIOV21503	150	1,320	1,690	2,340	4.0	460	20
SEPBIOV22003	200	1,500	1,890	2,685	5.5	650	45

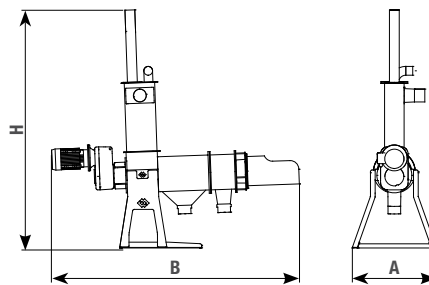


\* The flow rate is intended with clean water. Its real value depends on the type of material treated, on configuration of the equipment, as well as use and maintenance conditions.

## SEPCOM™ Biogas Horizontal Digestate Separator



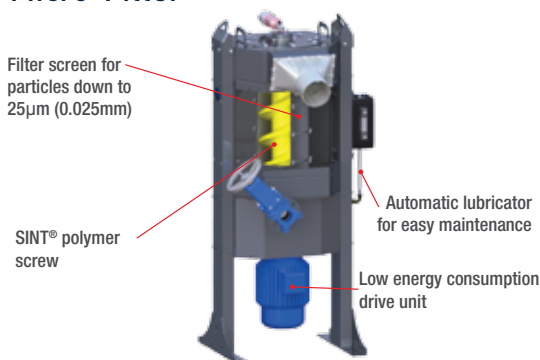
MODEL	Diameter mm	A mm	B mm	H mm	Power kW	Weight kg	Max. Throughput m³/h *
SEPBIOH11502	150	660	1,420	1,800	2.2	140	15
SEPBIOH12602	260	980	2,530	2,770	4.0	495	45
SEPBIOH12603	260	980	2,830	2,770	5.5	545	65



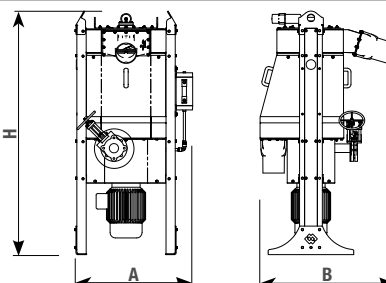
\* The flow rate is intended with clean water. Its real value depends on the type of material treated, on configuration of the equipment, as well as use and maintenance conditions.

## SEPCOM™ MFT Micro-Filter

MULTIPLE PATENTS PENDING

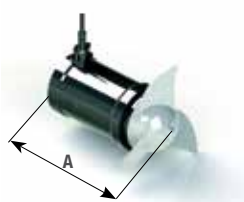


MODEL	Diameter mm	A mm	B mm	H mm	Power kW	Weight kg	Max. Throughput m³/h *
SEPCOM MFT260	260	870	880	1,575	7.5	300	10



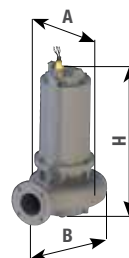
\* The flow rate is intended with clean water. Its real value depends on the type of material treated, on configuration of the equipment, as well as use and maintenance conditions.

## SEPCOM™ WSA Submersible Agitators



MODEL	Blade Diameter	A mm	Power kW	Weight kg
WSA 15	260	465	1.5	53
WSA 22	320	570	2.2	80
WSA 30	395	605	3.0	104
WSA 40	600	580	4.0	149
WSA 55	600	635	5.5	169
WSA 75	600	690	7.5	195

## SEPCOM™ WSP Submersible Chopper Pumps




MODEL	Inlet ø mm	A mm	B mm	H mm	Weight kg
WSP 22					73
WSP 30	80	330	400	670	75
WSP 40					76
WSP 55	100	345	440	770	121
WSP 75					127

## MAKE THE MOST OF YOUR BIOGAS DIGESTATE

The **SEPCOM™** system is a comprehensive range of equipment designed to **turn biogas digestate from waste into a valuable resource.**

Raw digestate as such can be used in agriculture only within certain limits. Due to its high solids content, it is also extremely difficult waste to be disposed of.

To **make the most of your digestate** you need to separate it into a solid and a liquid phase.

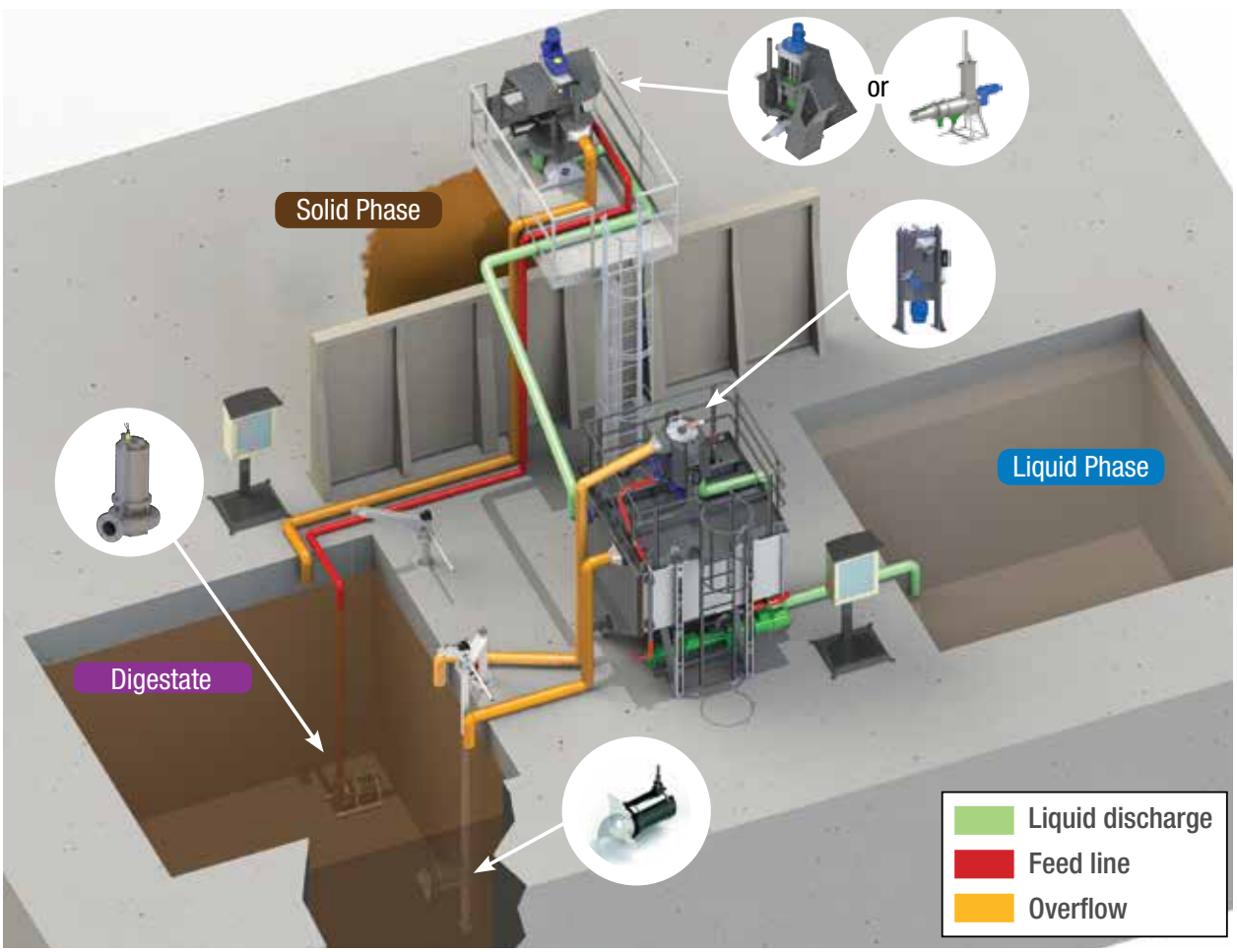
Solid Phase turns into:  **a high quality organic soil conditioner**

- Easy to shovel, store and transport
- Odourless
- Can be sold as soil conditioner

Liquid Phase turns into:  **an enriched liquid fertiliser**

- Ideal for recirculation in biogas plants
- Can be used for fertigation
- Low fresh water consumption and minimised solids content
- Easy to mix, pump, spread and store


**SEPCOM™ TREATMENT SYSTEM IN BIOGAS PLANT**





## DIGESTATE SEPARATORS

Separators are the core of a **SEPCOM™ Biogas** plant as they allow to separate the digestate into a solid and a liquid phase. With **high performance SINT® engineering polymer screw flights** and a **stainless steel design**, **SEPCOM™ Biogas** is available in three distinct model versions. The choice mainly depends on the amount of fibre present in the digestate and on the required flow rate.

### SEPCOM™ Biogas Vertical

MULTIPLE PATENTS PENDING

The perfect choice for biogas plants producing irregularly shaped digestate low in fibre.

- ✓ Never loses the solid plug
- ✓ Stable feeding due to compensator tank
- ✓ Higher separation efficiency than with traditional separators
- ✓ Affordable spare parts



### SEPCOM™ Biogas Horizontal

Suitable for fibrous digestate as from corn silage and cow manure.

- ✓ Up to 30% separated solids
  - ✓ Safe continuous operation due to self-adjusting pressure at solids outlet
- MULTIPLE PATENTS
- ✓ Affordable spare parts



### MINI-SEPCOM™ Biogas Horizontal

The most compact machine of the range, ideal for small amounts of digestate to be treated.

- ✓ Minimised footprint
  - ✓ Safe continuous operation due to self-adjusting pressure at solids outlet
- MULTIPLE PATENTS
- ✓ Affordable spare parts



# MICRO-FILTRATION

Micro-filtered digestate liquid can be used for fertigation or in systems that reuse the liquid to dilute the dry matter fed into the anaerobic digesters in biogas plants.

## SEPCOM™ MFT Micro-Filter MULTIPLE PATENTS PENDING

The **SEPCOM™ MFT** Micro-Filter is used to fine-screen the liquid phase of a previous solids-liquid separation process.

- ✓ **High filtration efficiency due to stainless steel screen down to 25µm (0.025mm)**
- ✓ **Self-cleaning**
- ✓ **Low operating costs**



# ACCESSORIES

Prior to separation and micro-filtration, raw digestate may contain lumpy solids or fibre that could disrupt the regular plant flow. In this case a submersible chopper pump and an agitator are an excellent solution.

## SEPCOM™ WSA Submersible Agitator

The **SEPCOM™ WSA** Submersible Agitator stirs up the raw digestate to be treated by the separator.

- ✓ **Excellent blending performance**
- ✓ **Prevents from deposits forming on the bottom of the collecting tank and from potential clogging of pump and separator**



---

## SEPCOM™ WSP Submersible Chopper Pump

Due to an integrated cutting system, **SEPCOM™ WSP** Submersible Chopper Pumps can convey liquids containing lumpy solid particles or fibre.

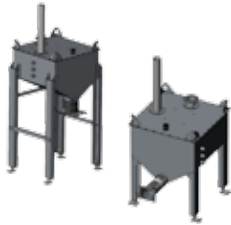
- ✓ **Two functions: shredding and pumping**
- ✓ **The perfect solution for difficult operating conditions**



# Application



# Ancillary Equipment



**HOPPER TANKS**  
for separator



**SEPCOM™ SCP**  
control panel



**COMPACT MICRO-FILTRATION PLANT**  
plant complete with  
micro-filter and tank



203001525 October 2018 Rights reserved to modify technical specifications.



**SEPCOM™**



[sepcom.wamgroup.com](http://sepcom.wamgroup.com)