

Polymer Spring-loaded
Pressure Relief Valve
VCP-D

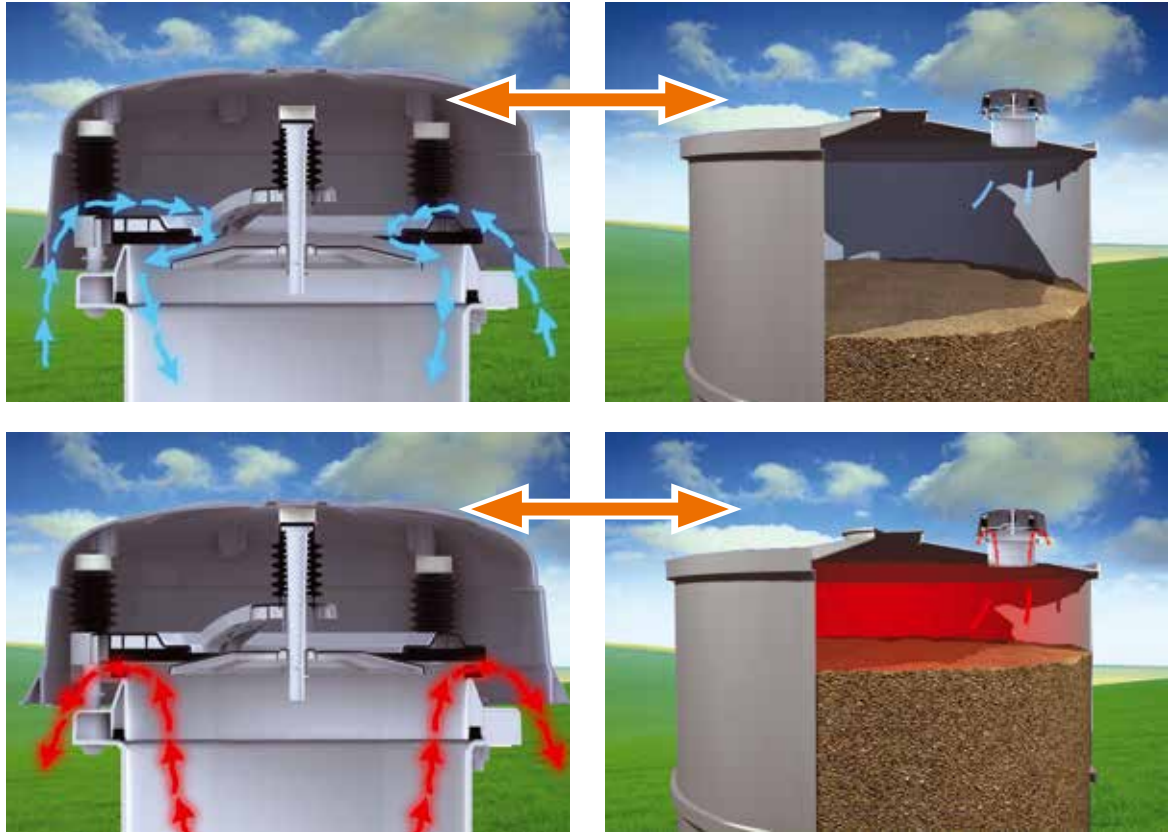


Polymer Spring-loaded
Pressure Relief Valve
VCP-D



COMPOSITE TECHNOLOGY FOR A SAFE WORKPLACE

VCP-D Polymer Spring-loaded Valves are the last safety net when abnormal pressure conditions endanger the silo structure. This is why sudden excess or suction pressure inside the silo must be dealt with instantly. Even though ideally a VCP-D Polymer Spring-loaded Valves should never have to go into action, it must be efficient and reliable if needed.



SAFETY
on interchangeability



IMPROVED
performance



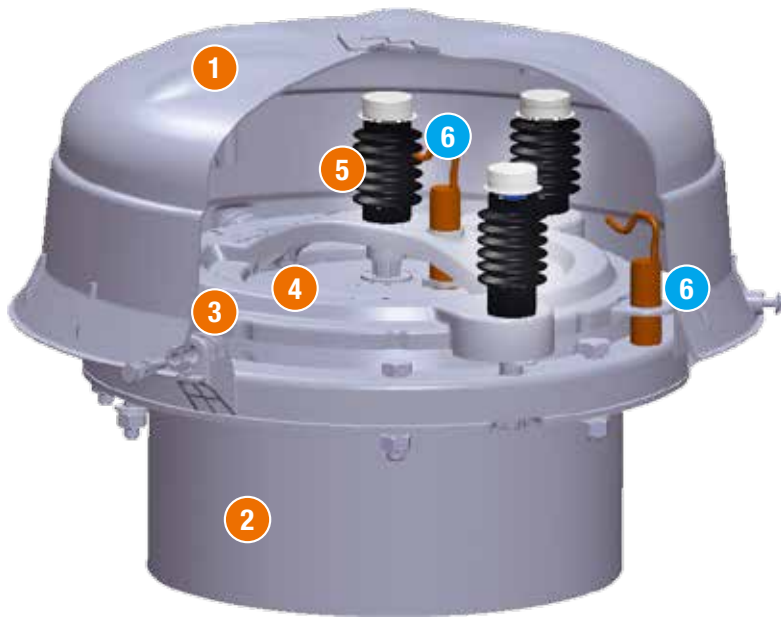
VALUE
for Money



Benefits

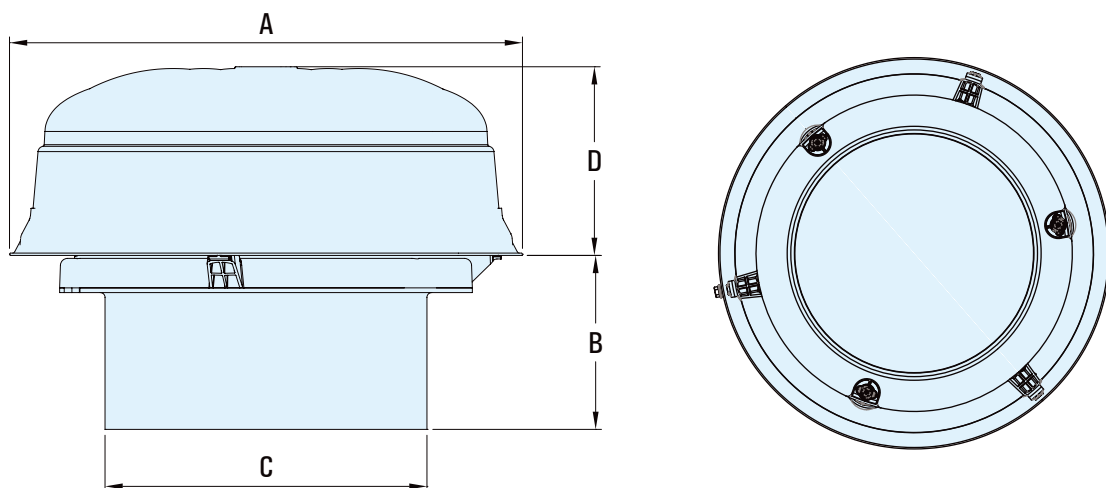
-  Quick and easy parts replacement
-  Less operating noise, less residual particles
-  Lightweight design
-  Maximum efficiency, minimum operating costs
-  Quick and easy maintenance
-  Compliance with regulation in force

Technical Features and Accessories



-  Weather protection cover
-  Weld-on Spigot for connection to silo
-  Excess pressure lid
-  Negative pressure lid
-  Adjustment kit (Spring)
-  Inductive proximity sensors (Accessory)

Overall Dimensions



VCP-D	Excess Pressure	Negative Pressure	kg
Standard-type	500 mm H ₂ O	-50 mm H ₂ O*	6.0
Flow Rate	6,000 Nm ³ /h	1,900 Nm ³ /h	

A	B	C	D
Ø 435 mm	148 mm	Ø 273 mm	160 mm

Application



CONCRETE



BUILDING MATERIALS



MINERALS



CERAMICS



DRY MIX MATERIALS



PLASTICS



063002210 October 2014 Rights reserved to modify technical specifications.



www.wamgroup.com